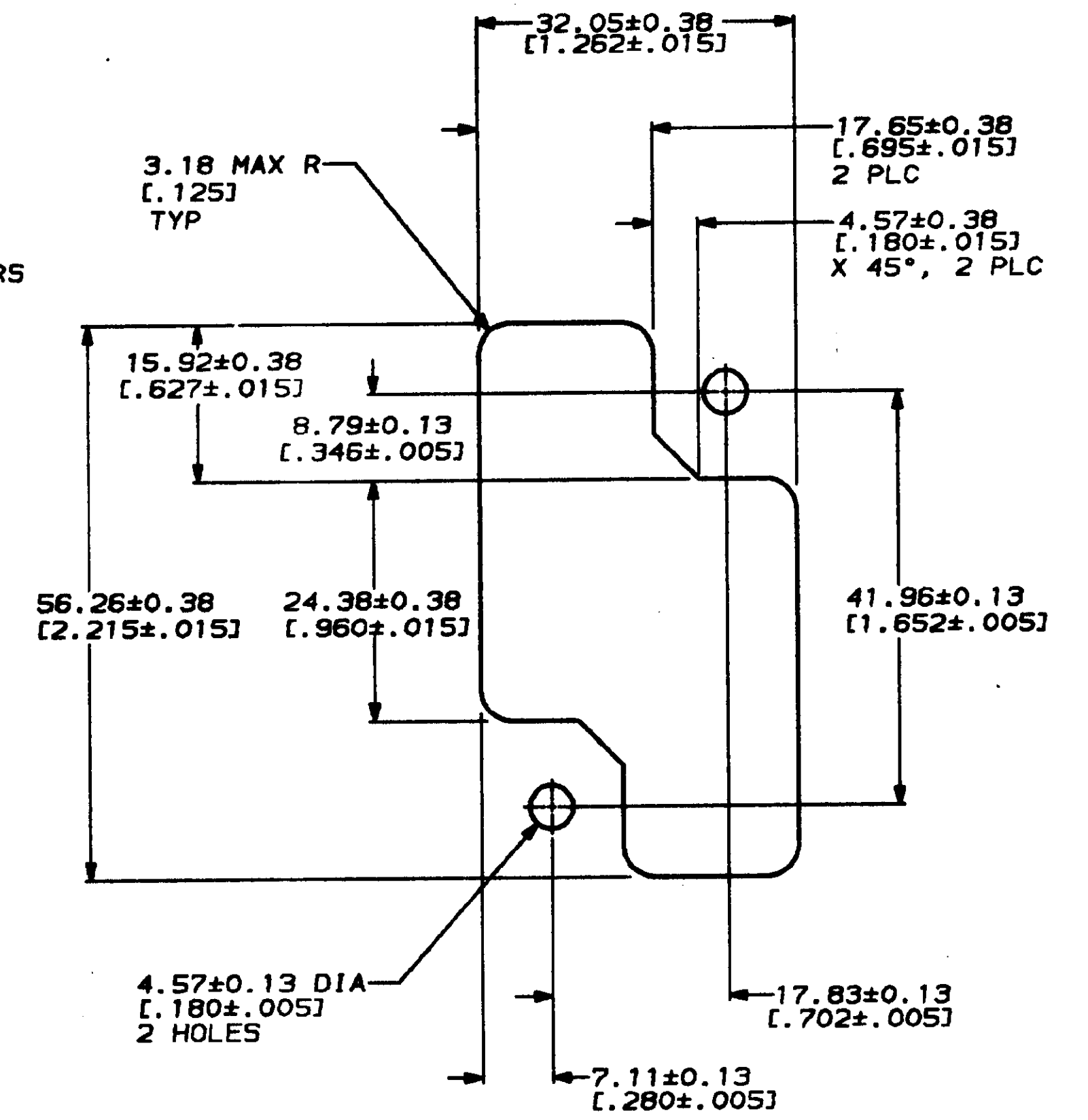
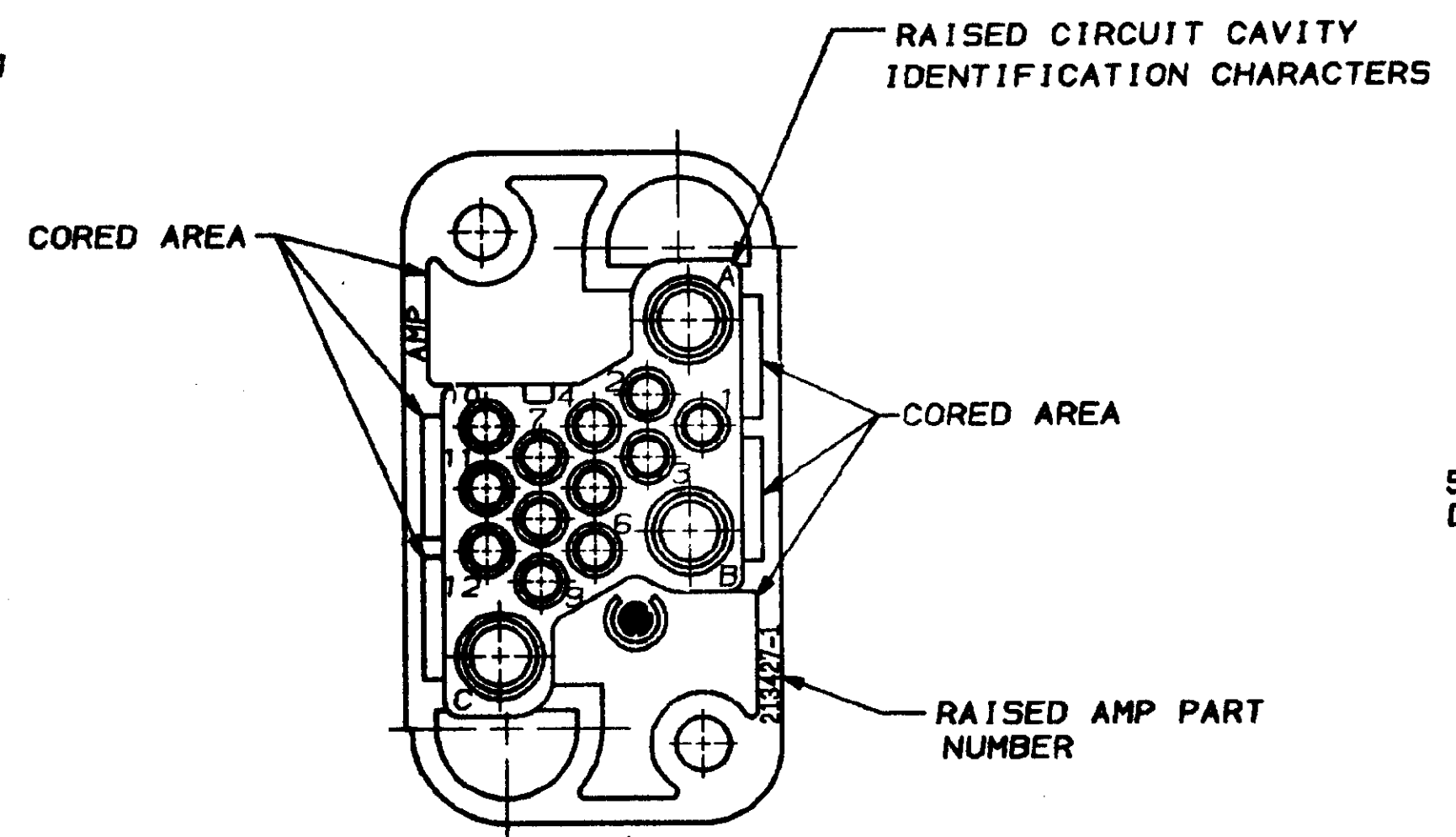
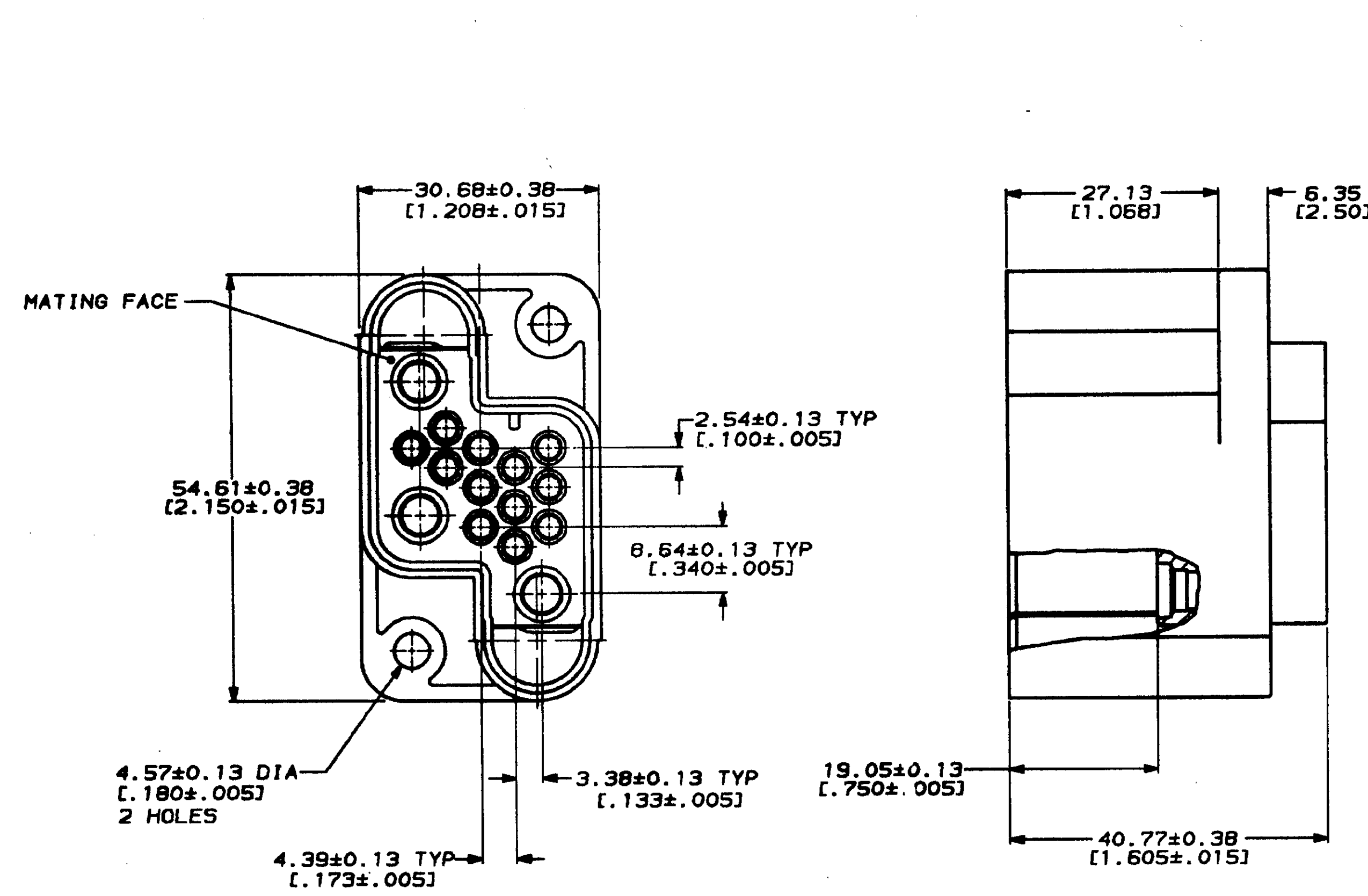


REVISED		DATE		BY		REVISIONS	
NO.	BY	DATE	DESCRIPTION	DATE	BY	DESCRIPTION	DATE
1	BD	39					
0			REL PER NPR 2092, W/S 87-5019-51	10-28-87	MG		
A			REV PER ECN S4434	2-29-88	MG		
B			REV PER ECN BD3182 & BD3273	8-22-88	AB		
C			REV ECN BD4792 & BD5024	04/28/91	P.T.		



RECOMMENDED PANEL CUTOUT

1. THIS RECEPTACLE HOUSING MATES WITH PLUG HOUSING PART NUMBER 213426-1.
2. THIS HOUSING ACCEPTS (3) POWER SIZE 8 OR COAXIAL SIZE 8 PIN CONTACTS AND (12) TYPE II SIZE 16, TYP III+ SIZE 16, TYPE VI SIZE 16, TYPE X SIZE 16, SUBMINIATURE COAXICON OR OPTIMATE FIBER OPTIC PIN CONTACTS.
3. DIMENSIONS IN BRACKETS ARE IN INCHES.

DO NOT SCALE PRINT. UNLESS SPECIFIED DIMENSIONS ARE IN MM. TOLERANCES ON: 2 PLC DEC ± 0.25(.010) 3 PLC DEC ± 0.30		DR D ERDMAN 10-28-88		PART NO 213427-1	
MATERIAL POLYESTER, GLASS FIBER REINFORCED, FLAME RETARDED, BLACK		CHK LARRY G LAWVER 10-28-88		AMP AMP INCORPORATED	
FINISH		APPD MICHAEL D GALLOWAY 10-29-88		NAME HOUSING, RECEPTACLE, DRAWER CONNECTOR, 15 POSITION, METRIMATE	
APPLICATION SPEC		PRODUCT SPEC		DRAWING NO 213427	
WEIGHT		SCALE 2:1		SHEET 1 OF 1	



CUSTOMER DRAWING